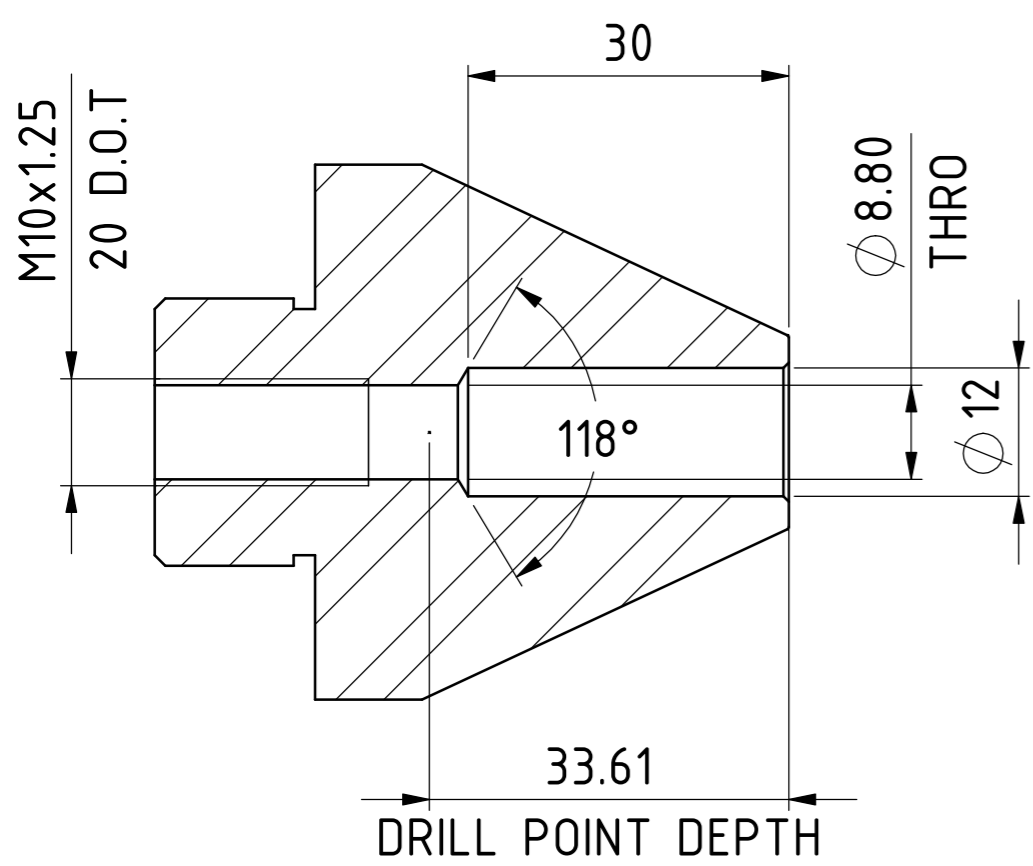
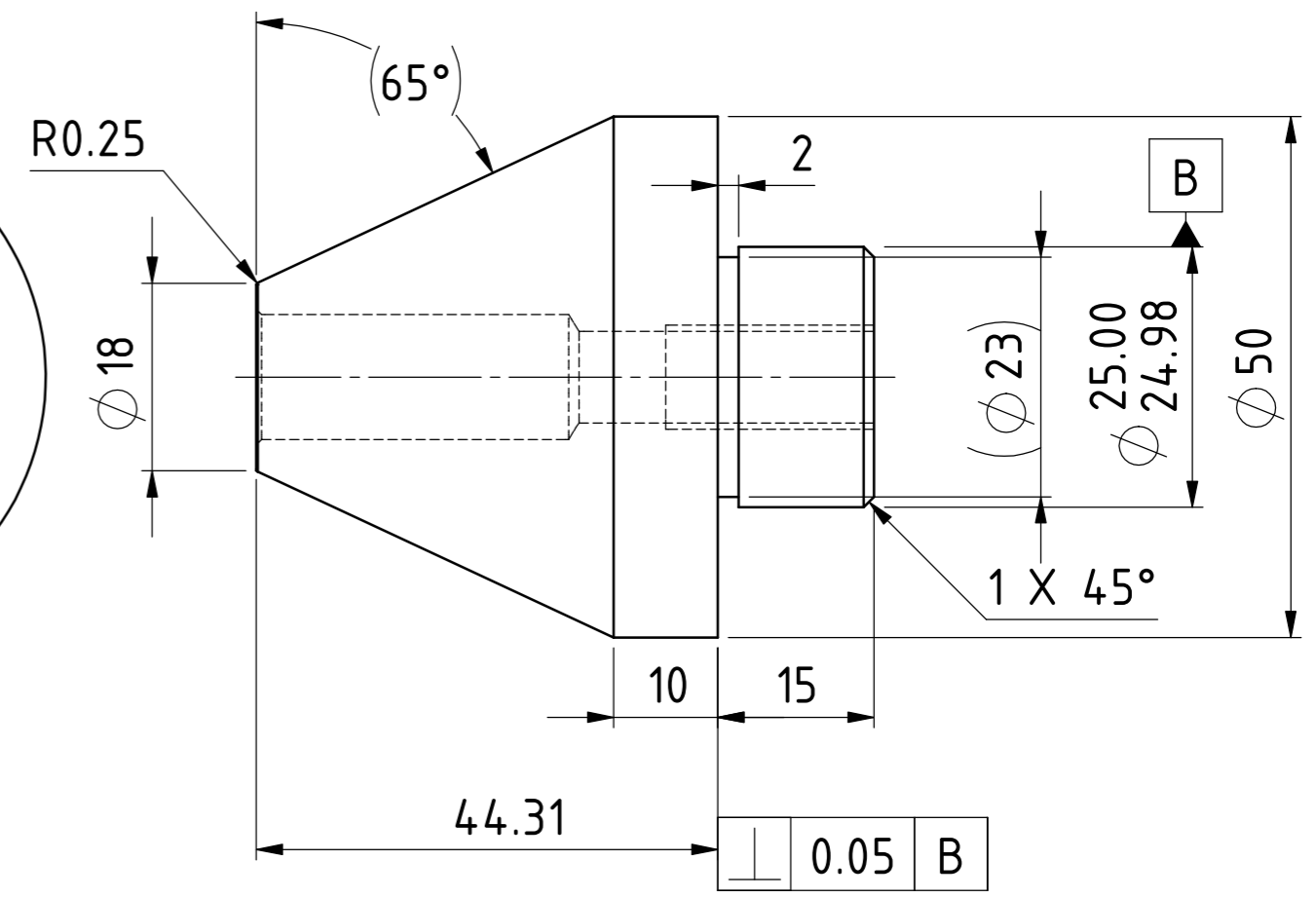
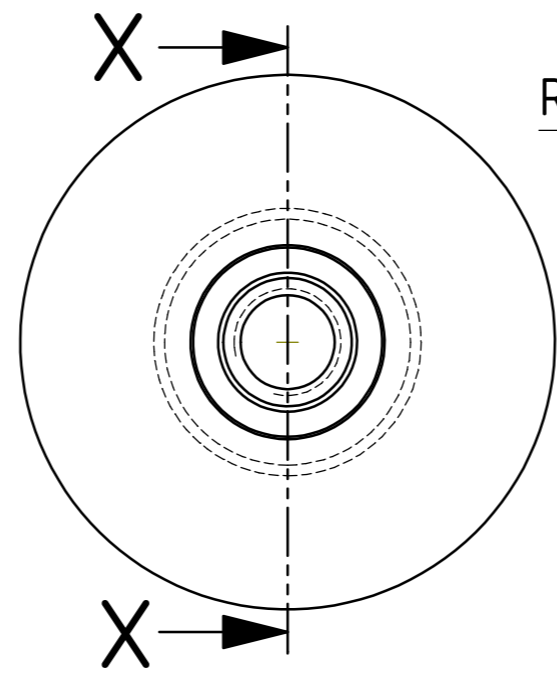





ISOMETRIC VIEW FOR  
ENGINEERING REFERENCE ONLY



SECTION X-X



REVISIONS				
ZONE	REV.	DESCRIPTION	DATE	APPROVED

IF IN DOUBT ASK FOR CLARIFICATION				DRAWING TO BS8888		COMPONENT WEIGHT 440.44 GRAMS		 SUPERTOOLROOM UNIT 4, SPRINGVALE TRADING EST PENISTONE ,SHEFFIELD, ENGLAND S366HH INFO@BICYCLEMANUFACTURING.CO.UK	
TOL UOS	0.0	±0.25	CAST	±1.0	3D CAD	MMC	13/02/2015	FINISH/TREAT/SPEC	AS MACHINED
	0.00	±0.10	DRAFT	3° TYP	DRAWN	MMC	13/02/2015	MATERIAL	303 ST ST FREE MACHINING
	0.000	±0.05	ANGULAR	±0.5	APPVD	MMC	13/02/2015	SPECIAL INSTRUCTION	
CAD	3D CAD MODEL TO BE TREATED AS MASTER DXF AND PROFILE CUTTING TOLERANCE			±0.2 -0.2	PUB REL	Y			
THREAD	INTERNAL METRIC 6g	INTERNAL IMP 2a	NON HARD ANODIZING TO ISO 7599 HARD TYPE III TO ISO 10074 SEE DETAIL IF OTHER		DEV REL	N			
	EXTERNAL METRIC 6H	EXTERNAL IMP 2B	CASTING'S, FORGING'S AND COMPOSITE MOULDINGS TO BE FREE FROM POROSITY AND VOIDS SEE DETAIL SPECIFICATION						
	REMOVE ALL BURR'S SHARP EDGES		DO NOT SCALE DRAWING 1:1@A4		 		ALL DIMENSIONS IN mm U.O.S		DWG TITLE/PART NAME HEAD TUBE CONE
									DWG No: BML HTC 001
									REVISION A



REVISION  
A