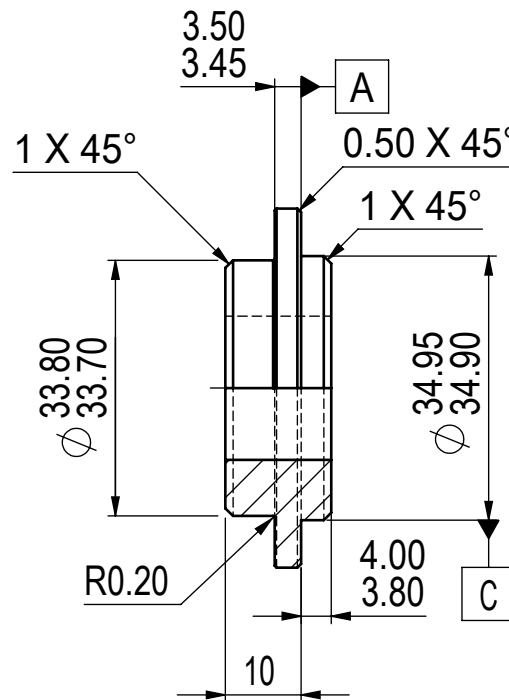
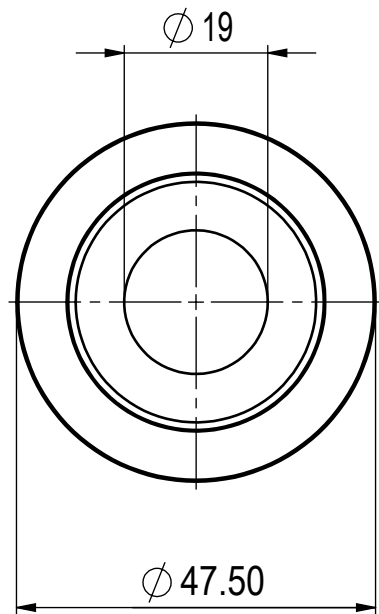




ISOMETRIC VIEW FOR ENG REF ONLY NOT TO SCALE



NOTE 34.95/34.90 DIM MATES WITH COMPONENT BML HS001

IF IN DOUBT ASK FOR CLARIFICATION		DRAWING TO BS8888		COMPONENT WEIGHT 52.15 GRAMS		 SUPERTOOLROOM UNIT 4, SPRINGVALE TRADING EST PENISTONE, SHEFFIELD, ENGLAND S366HH INFO@BICYCLEMANUFACTURING.CO.UK	
3D CAD TOL/US 0.0 ±0.25 CAST ±1.0 0.00 ±0.10 DRAFT 3° TYP 0.000 ±0.05 ANGULAR ±0.5	SURF FIN T TURNED MILLED BORED 3.2µm R REAMED 0.8µm G GROUND HONED 0.4µm	3D CAD MMC DRAWN DRG DRAWN APPVD DRG APPROVED	15/02/2015 01/01/2015 01/02/2015	FINISH/TREAT/SPEC SEE MACHINING INSTRUCTIONS MATERIAL 303 ST-ST FREE MACHINING	DWG TITLE/PART NAME HEADSET PUCK 1.125" REYNOLDS TOL		
3D CAD MODEL TO BE TREATED AS MASTER DXF AND PROFILE CUTTING TOLERANCE	CASTING'S, FORGING'S AND COMPOSITE MOULDINGS TO BE FREE FROM POROSITY AND VOIDS SEE DETAIL SPECIFICATION	PUB REL DEV REL	SPECIAL INSTRUCTION OR EN16/19 CHEMICAL BLACK MIL-TFD-41	DWG No: BML HSP 1.125		REMOVE ALL BURR'S SHARP EDGES DO NOT SCALE DRAWING 1:1@A4 ALL DIMENSIONS IN mm U.O.S	