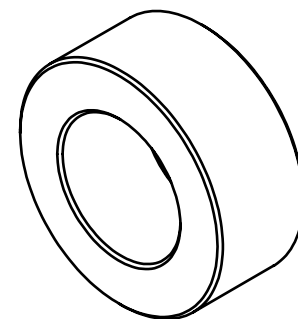
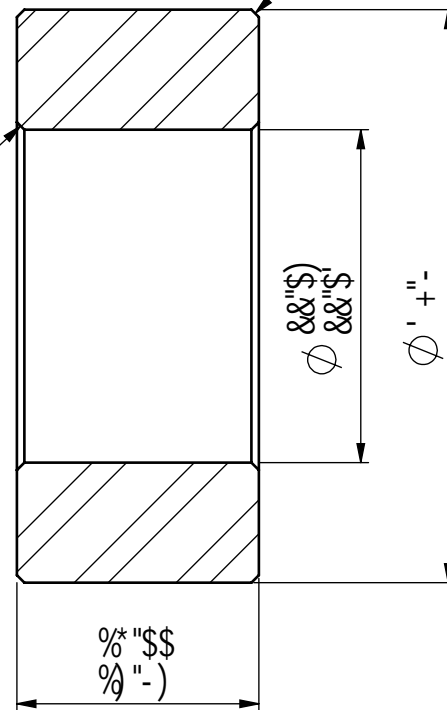




%L'()»
&D@579G

%L'()»
&D@579G



G97H€B'L!L

€CA 9HF 7'J 9K : CF '9B; B99F B;
F9: 9F 9B79'CB@MBCH'HC 'G75@9

÷ 'B'8CI 6H'5G? : CF '7@5F ÷ 75H€B \$\$\$ ±\$%) 75GH ±%\$ \$\$\$ ±\$%) 8F5: H ° HMD \$, Aa \$\$\$ ±\$%) 5B: l @5F ±\$) \$(Aa)		8F5K B; 'HC '6G, , , , 8758 AA7 % #8#8\$% 8F5K B AA7 % #8#8\$% 5DDJ8 AA7 % #8#8\$%		7CADCB9BHK 9 ÷ <H-) "' ; F5AG : B-G<#F 95HGD97 5G A 57 < B98 A 5H9F -5@ '\$' GHIGH: F99'A 57 < B-B; GD97-5@BGHF 1 7HCB		; < 8 GI D9FHCC@CCA I B#(ZGDF-B; J5@9 HF 58-B; 9GH D9B-GHCB9 G<9: : 9@8Z9B; @5B8 G' **<< -B: C4 67M/@A5BI : 57HI F-B; '7C1?	
' 8758 AC89@HC 69 HF 95H98 5G A 5GH9F Z\$% 8L: 5B8 DFC: @971 HHB; HC@9F 5B79 1\$%		75GH-B; 6Z: CF: -B; 6588 7CADCG+9 ACI @8-B; G HC 69: F99: FCA DCF CG+H 5B8 JC -BG 999 89H5 @GD97 ÷ 75HCB 01 6 F9@ M 89J F9@ B		8K; 'HH@9D5FHB5A 9 * , AA '6CHCA '6F 57? 9H'GD579F 8K; Bc.			
-BH9FB5@A 9HF 7 * [-BH9FB5@A D &J 9LH9FB5@A 9HF 7 * < 9LH9FB5@A D &6		BCB <5F 8 5BC8-4B; HC :G<+)- <5F 8 HMD9 =HC :G< %\$+(- G99 89H5 @ ÷ 'CH-9F		8K; Bc. 6A @66 '\$\$'			
F 9A C J 9 5 @ @ 6 l F F G < 5 F D 98; 9G		8C B CH G 7 5 @ 9 8 F 5 K B; & % 4 5 (5 @ @ 8 - A 9 B G € C B G ' B ' a a l " C " G			G < 99 H % C : %